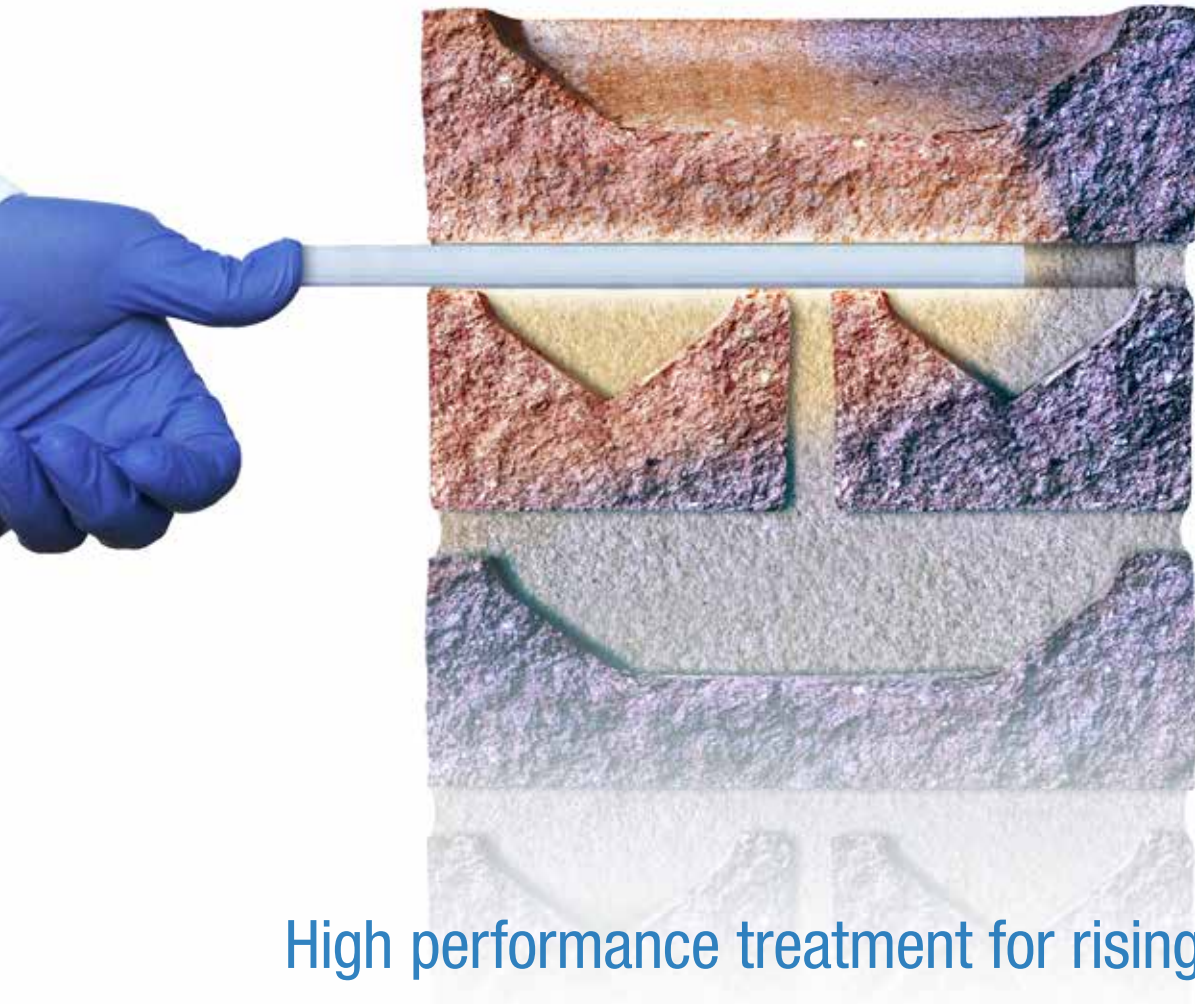


# DRY ROD



High performance treatment for rising damp

**No fuss, no mess, no stress**

## Safeguard Europe Ltd

6 Redkirk Close  
Horsham  
West Sussex RH13 5QL  
Tel: 01403 210204 Fax: 01403 217529  
e-mail: info@safeguardeurope.com  
website: www.safeguardeurope.com



Agrément Certificate  
**97/3363**  
Product Sheet 6

### SAFEGUARD DAMP-PROOF SYSTEMS

### DRYROD DAMP-PROOFING RODS

This Agrément Certificate Product Sheet<sup>(1)</sup> relates to Dryrod Damp-Proofing Rods, 12 mm diameter controlled-release fibre rods containing silane concentrate for insertion into mortar courses to form a remedial damp-proof course (dpc) in existing walls, and the associated replastering.

(1) Hereinafter referred to as 'Certificate'.

#### CERTIFICATION INCLUDES:

- factors relating to compliance with Building Regulations where applicable
- factors relating to additional non-regulatory information where applicable
- independently verified technical specification
- assessment criteria and technical investigations
- design considerations
- installation guidance
- regular surveillance of production
- formal three-yearly review.



#### KEY FACTORS ASSESSED

**Effectiveness against rising damp** — when inserted into suitable substrates in accordance with BS 6576 : 2005, the product diffuses to form an effective barrier against rising damp in existing walls (see section 6).

**Drying time** — after treatment, a 230 mm solid brick wall previously affected by rising damp should normally dry out in 6 to 12 months (see section 7).

**Durability** — the product will remain effective against rising damp for at least 20 years (see section 9).

The BBA has awarded this Certificate to the company named above for the product described herein. This product has been assessed by the BBA as being fit for its intended use provided it is installed, used and maintained as set out in this Certificate.

On behalf of the British Board of Agrément

Date of First issue: 7 July 2014

Simon Wroe  
Head of Approvals — Materials

Claire Curtis-Thomas  
Chief Executive

*The BBA is a UKAS accredited certification body — Number: 113. The schedule of the current scope of accreditation for product certification is available in pdf format via the UKAS link on the BBA website at [www.bbacerts.co.uk](http://www.bbacerts.co.uk)*

*Readers are advised to check the validity and latest issue number of this Agrément Certificate by either referring to the BBA website or contacting the BBA direct.*

British Board of Agrément  
Bucknalls Lane  
Watford  
Herts WD25 9BA

©2014

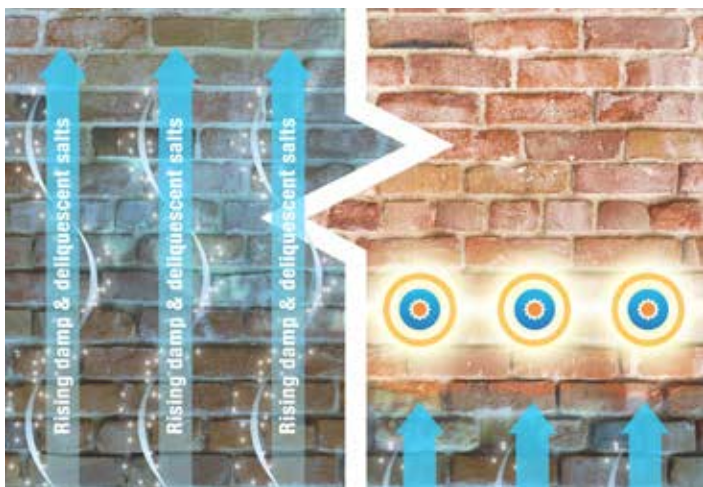
tel: 01923 665300  
fax: 01923 665301  
e-mail: [mail@bba.star.co.uk](mailto:mail@bba.star.co.uk)  
website: [www.bbacerts.co.uk](http://www.bbacerts.co.uk)

# Fast, clean, and effective damp-proofing with Dryrod:

## Rising damp and salt damage to walls

Whenever rising damp or salt damage to internal walls is diagnosed, it is important to have the condition correctly treated, as failure to do so can cause further damage and devaluation to any property.

It is not sufficient to simply cover up the problem with a special paint or coating in the hope that the problem will go away. Only by preventing the dampness rising up the internal masonry can an effective treatment be achieved.



## Development & performance of Dryrod

Safeguard Europe Ltd have for thirty years been the foremost innovators and manufacturers of damp treatment products. The development of the patented Dryrod system has taken over three years of intensive research. The British Board of Agrément and our own internal tests show that Dryrod outperforms competing products in:

- Old mortar and masonry found in older buildings
- Cavity walls, rubble infill, random stone and single skin walls

## Dryrod is effective even where the wall is:

- Highly saturated
- Cold or warm (it can be used in freezing conditions)
- Very porous
- Highly alkaline (new mortar)
- With low alkalinity (old mortar)

## Dryrod eradicates damp

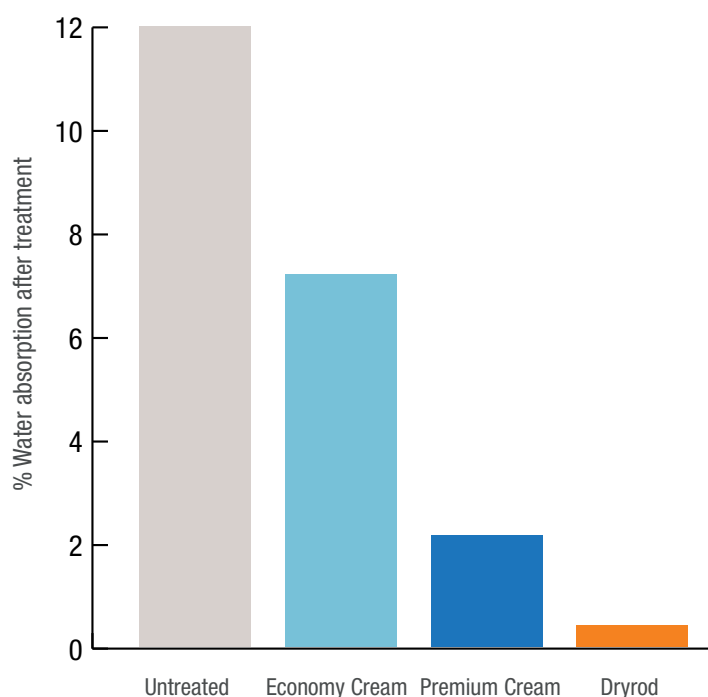
Dryrod damp-proofing rods are patented, 12mm diameter grooved rods that carry a powerful water-repellent material. The rods are inserted into pre-drilled 12mm holes along the mortar lines of a building. The water-repellent they carry diffuses deeply into the damp masonry, curing to form a highly effective barrier to damp. This forms a damp-proof course which stops further rising damp from occurring and helps the wall to dry out.

Tests have shown that Dryrod has much better diffusion characteristics than conventional damp-proofing products. Dryrod has many advantages over conventional damp treatments:

- Deep penetration, proven spread gives a complete treatment every time
- Simple application, just drill and insert rod (no application equipment needed)
- Exact dose in each hole
- Low hazard, non caustic, non flammable and solvent free
- Spillage and mess eliminated
- Consistent application, easy to estimate usage
- Superior performance

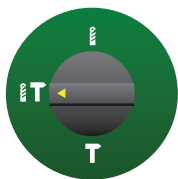
## Comparison

Performance of Dryrod compared to alternative methods:





# Installation:



## Preparation:

Set your SDS drill to rotary hammer.

Select a 12mm drill bit in excess of 190mm in length. A Dryzone drill bit is recommended for enhanced debris removal.

Mark drill bit 190mm from the tip.



## Drilling:

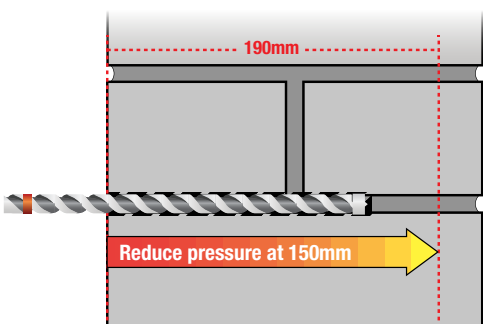
A row of holes should be drilled at 120mm intervals along the lowest accessible mortar course.

Drill holes the full 190mm ensuring you reduce your drilling pressure once you are approximately 150mm into the wall. Reducing pressure ensures a cleaner hole and prevents damage to the far side of the wall.

### Where mortar is fully saturated:

Re-drill the holes twice to remove any excess debris.

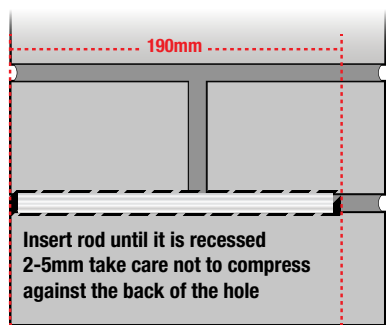
If excess debris continues to obstruct full rod insertion the Dryzone hole clearing tool can be used to ensure the hole is completely clear.



## Damp-proofing rod insertion:

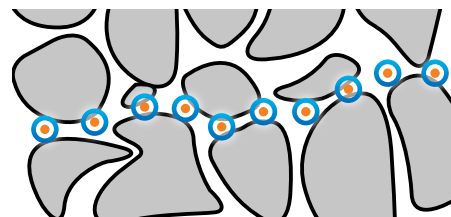
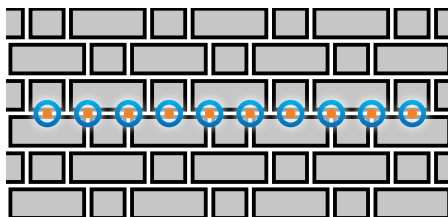
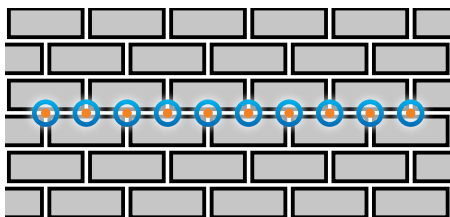
Wearing suitable gloves remove the rods one by one from the packet, inserting a single rod into each hole. Ensure the rods are recessed approximately 5mm from the brick face while trying not to force the rod into the hole.

When installing internally performance will not be affected if the rods protrude where mortar has been eroded. Holes will be covered during redecoration.



# Installation tips:

## Recommended drilling patterns



### Stretcher Bond

In stretcher bond construction the mortar joints fall at approximately 12cm intervals and can be used to quickly locate your drilling points.

### Flemish Bond

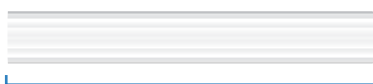
In flemish bond construction the vertical mortar joints either side of the smaller bricks and the mid point of the larger bricks lie at approximately 12cm intervals and can be used to locate your drilling points.

### Irregular Stone

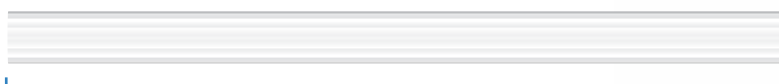
In irregular stone construction drilling points must be measured and care must be taken to make sure the line of rods follow an unbroken line through the mortar at 12cm intervals.

## Cutting & combining for walls thicker or thinner than 9"

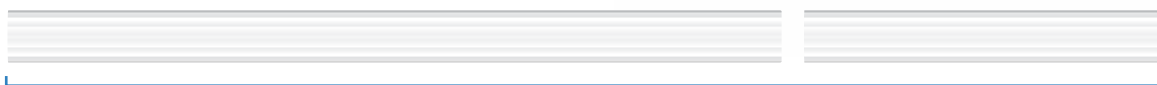
If the wall is thinner than 9" (220mm) then cut the rods down 10mm shorter than the length of the hole. If the wall is thicker than 9" cut a second rod 10mm less than the excess left after inserting one rod. Dryrod is also available in pre-cut 85mm lengths for 4 1/2" internal walls.



85 mm



180 mm



265 mm



## Rod depth required in various wall thicknesses

Wall thickness	4½" (110 mm)	9" (220 mm)	13½" (330 mm)	18" (440 mm)
Depth of hole required	100 mm	190 mm	290 mm	370 mm
Rod length	85 mm	180 mm	265 mm	355 mm

## Number of rods required for a 10m stretch of wall

Wall thickness	4½" (110 mm)	9" (220 mm)	13½" (330 mm)	18" (440 mm)
Length of wall				
10 m	42	83	125	166

## Precautions

Read instructions and health and safety data sheet (available upon request) before use.

## Storage

Store in a cool, dry place. Protect from frost. Store foil packages flat.

## Guarantees

Call Safeguard on 01403 210204 for details of specialist contractors who offer guarantees on Dryrod® installations.

## Further information

There is a Dryrod manual on "Rising damp and its control" that can be downloaded for free from [www.dryrods.com](http://www.dryrods.com)

[www.safeguardeurope.com](http://www.safeguardeurope.com)

[www.dryrods.com](http://www.dryrods.com)



Safeguard Europe Ltd is a specialist supplier and manufacturer of damp-proofing and waterproofing solutions for the construction industry.

Established in 1983, Safeguard Europe is based in the UK and operates to ISO 9001 and 14001 quality and environmental management systems.

Dryzone® and Dryrod® are registered trademarks.



Redkiln Close . Redkiln Way . Horsham . West Sussex . RH13 5QL  
T +44 (0) 1403 210204 F +44 (0) 1403 217529  
E [info@safeguardeurope.com](mailto:info@safeguardeurope.com)  
[www.safeguardeurope.com](http://www.safeguardeurope.com)